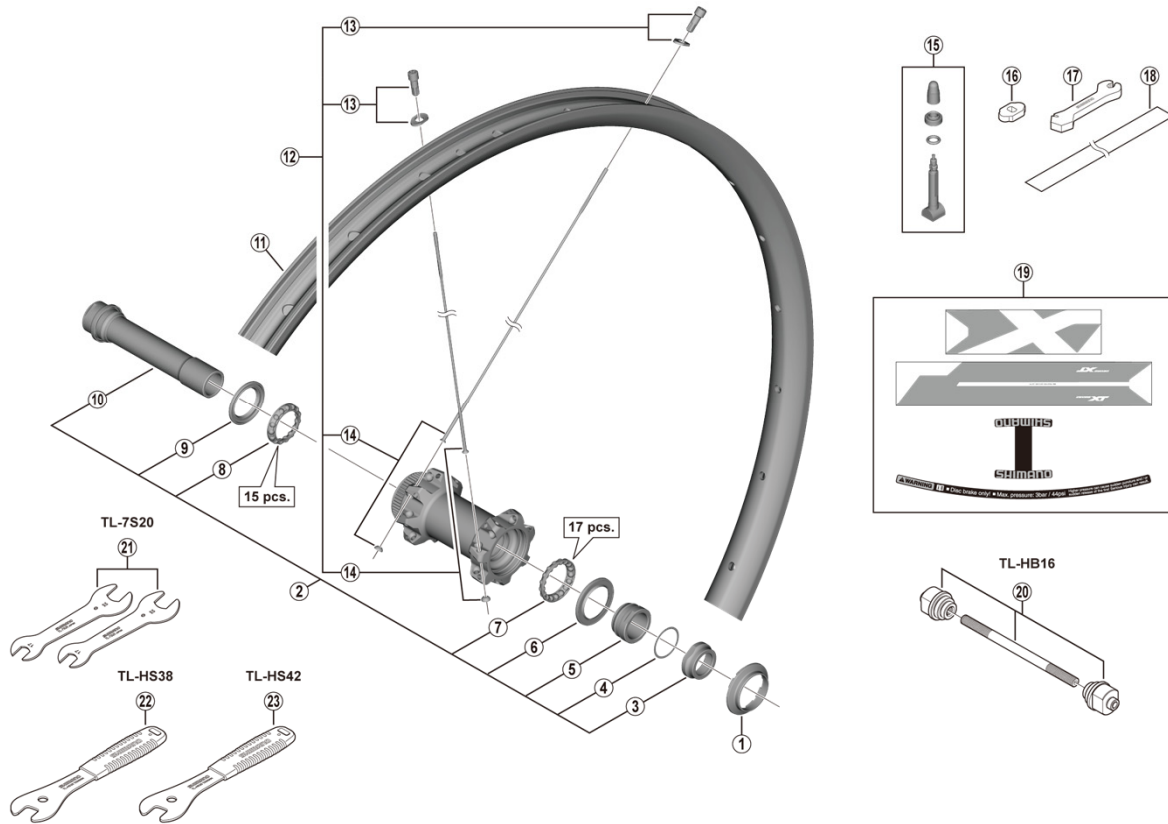


DEORE XT Front Wheel  
**WH-M8100**-TL-F15-B-275 For Disc Brake



• Over Lock Nut Dimension: 110 mm

ITEM NO.	SHIMANO CODE NO.	DESCRIPTION	INTERCHANGEABILITY	
			HB-M9110-BS	HB-MT900-BS
1	Y27X17000	Cap	A	A
* 2	Y0HD98030	Complete hub axle		
3	Y2A500050	Right hand lock nut		A
4	Y24613000	Adjusting washer		A
5	Y24606000	Right hand cone		A
6	Y27X15000	Right hand seal ring	A	A
7	Y27X98030	Right hand ball retainer (5/32" x 17)		A
8	Y27X98040	Left hand ball retainer (5/32" x 15)		A
9	Y27X14000	Left hand seal ring		A
* 10	Y0HD98040	Hub axle unit	A	A
11	-	Rim {28H}		
12	-	Spoke unit {spoke (281.5 mm x 28 pcs.) / spherical washer (28 pcs.) / nipple (28 pcs.) / rim washer (28 pcs.)}		
13	Y03X98010	Nipple and rim washer		
* 14	Y0HD98010	Spoke (281.5 mm) with spherical washer		
15	Y4RJ98020	Valve unit		
16	Y4RJ10000	Valve tool		
17	Y4EF28000	Nipple wrench 4.0		
18	Y48J00010	Tubeless tape		
19	Y0HD98020	Rim sticker unit		
20	Y20W98020	TL-HB16 Hub setting tool	A	A
21	Y13098900	TL-7S20 Hub spanners (17 mm x 22 mm) 2 pcs.	A	A
22	Y23098040	TL-HS38 Hub spanner 18 mm	A	A
23	Y23098050	TL-HS42 Hub spanner 22 mm	A	A

A: Same parts.

B: Parts are usable, but differ in materials, appearance, finish, size, etc.

Absence of mark indicates non-interchangeability.

Specifications are subject to change without notice.

Feb.-2021-4522B

© Shimano Inc. I

**SHIMANO**